

PONTLIGHT

PARASOL AMBIANCE

Parasol is a dynamic lighting design that offers both lighting and acoustic comfort in the interior. With hexagonal geometric forms, it allows multiple armatures to come together and take place in multiple uses indoors. The light distribution from the skeletal structure, which resembles a geometric umbrella, increases the decorative effect of the design. In addition to indirect and direct lighting options, it is offered with On/off and Dali control options.

Specification:

Composition:	100 % polyester (recycled PET appx. 50 %)
Material Weight:	Natural: 1300g /m ² (+/- 5 %) Mandarin: 1550g/m ² (+/- 5 %)
Material Thickness:	x2 Mandarin 1800g/m ² (+/- 5 %)
Product Weight:	6mm Natural & Mandarin colors (+/- 10 %) Natural: 3,7 kg per pcs. (+/- %5) Mandarin: 3,9 kg per pcs. (+/- %5) x2 Mandarin: 4,1 kg per pcs. (+/- %5)

Dimensions (mm):

W:	1025
L:	1025
H:	256

Key Features & Benefits:

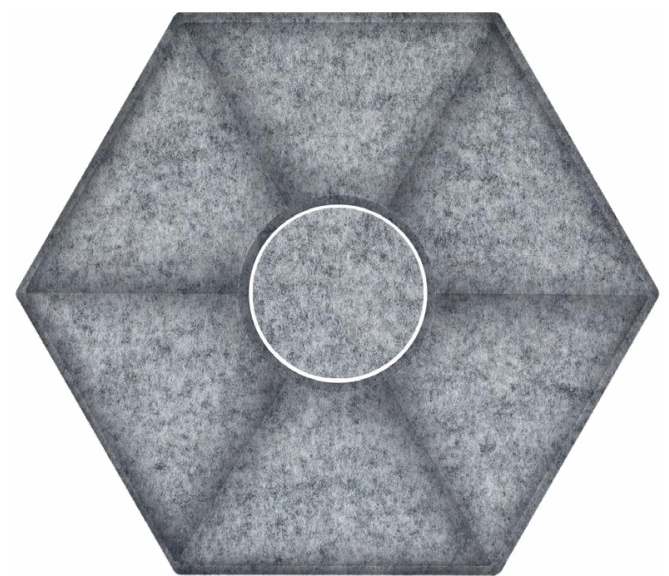
Available in Natural colors & Mandarin colors.
Highly durable providing long-term stability and performance.
Safe, non-toxic, non-irritant & without red list chemical binders.
Recycled and recyclable.

Care:

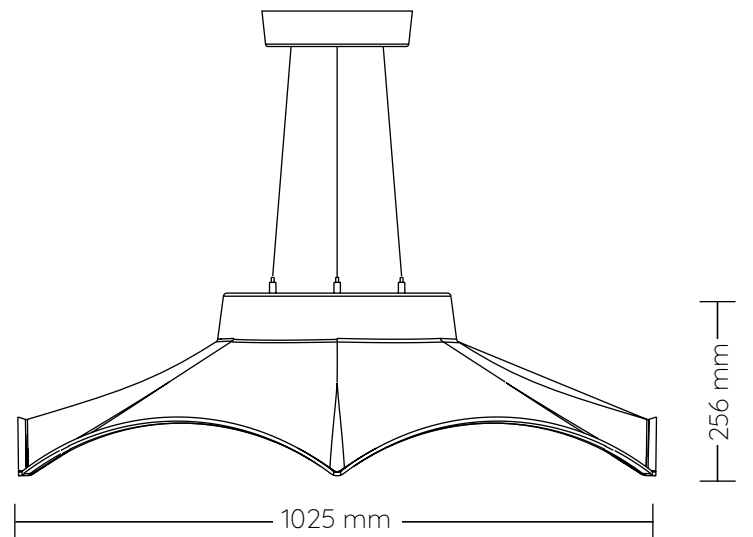
Easy to clean with a damp cloth or vacuum cleaner.
Indoor use only.

Installation:

Free hanging. Driver and 200cm steel suspension wire set supplied with included. Steel suspension wires supply electrical transmission. No other power cable is used.

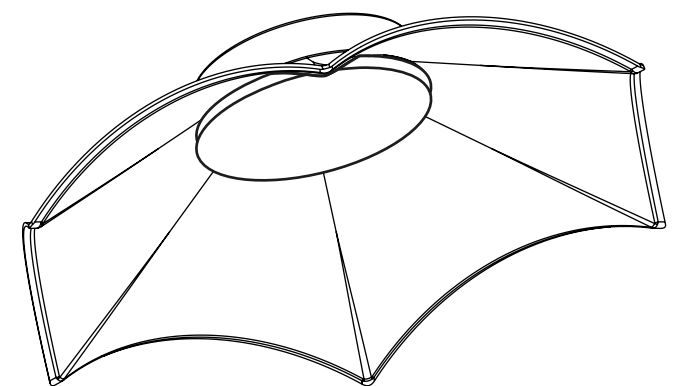


1025 mm



1025 mm

256 mm



Declare. 

PARASOL AMBIANCE

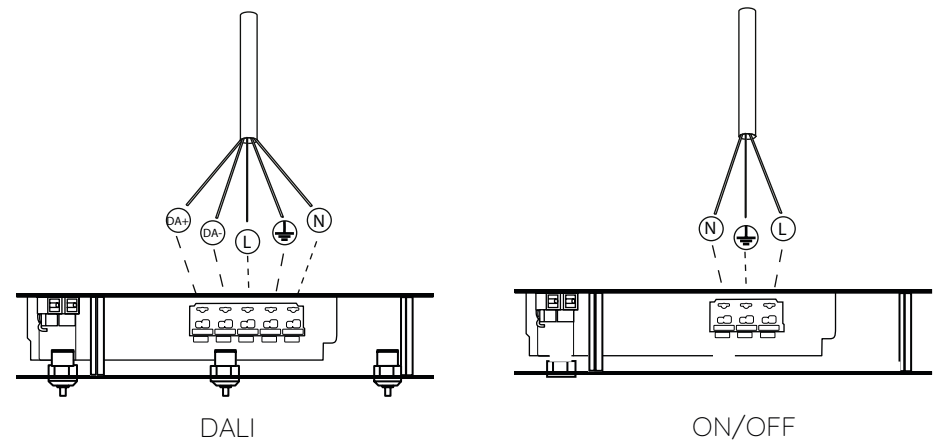
PONTLIGHT

Light Source Specification:

Lighting source standard diffuser is Micro Prismatic. Opal PC diffuser option is also available.

Wattage:	25W
Input Voltage:	220 - 240V AC
Input Frequency:	50 / 60 Hz
Lumen output:	2500 lm
Color Temperature:	2700K, 3000K, 4000K options
Color Rendering Index:	standard 80CRI or optional 90CRI
Unified Glare Rating:	UGR<19
Dimmable:	DALI, Push Dim, Bluetooth
Lighting Type:	Direct Lighting

Control Options:



Casambi Control Switches

Bluetooth Control:



Product Details:

Casambi is based on Bluetooth Low Energy (BLE), the state-of-the-art wireless technology and the only low power wireless technology in all modern devices. With this, Casambi creates a self-organizing wireless mesh network, where each module has the intelligence of the system replicated inside it, creating a system with no single points of failure. The Casambi app is an all-in-one lighting control system. Allowing complete access to lighting manipulation through Bluetooth on your phone, the Casambi app gives you complete control over your lighting. Available to download from the Apple App store and Google Play, it is the simplest solution to controlling your lighting. Casambi has four different levels for sharing and access control. You can decide if your network is open to everyone or if other users need a password to access your network. If you have several users and devices using the same network, all the changes made with one device will be automatically updated to the other devices with Casambi cloud service.

Bluetooth +Remote Control:



Dimensions:

L: 90mm
W: 90mm
D: 17,5mm

Code:

CSB 02

Product Details:

BasicDIM Wireless Switch

This switch is a wireless controller, providing an alternative to using the app on your phone. It comes with a magnetic mount, making it simple to mount to any wall or surface.

Specification:

Material: N/A
IP Rating: 20
Wireless Range: Up to 60m
Light Source: N/A
Mounting Type: Wall
Battery Lifetime: 2 - 5 years, depending on usage
BasicDIM Lifetime: 50,000hrs
Operating Temp: 0 ... +45 °C
Dimming: Up / Down

PONTLIGHT

PARASOL AMBIANCE

Performance:

Fire Rates:	B, S1, d0 (EN-13501)
Fire Rates:	ISO/IEC 17025 'CLASS A'
Light fastness:	6+ (ISO-105 B02)
Declare	
Health:	99.9 % Antibacterial (ISO-20743) Formaldehyde-free (ISO-14184)
Moisture Absorption:	>0.03 % by weight (50°C/122°F at 90% relative humidity)
Thearmal insulating:	0,040 W/mK
Abrasion:	EN ISO 12947 / PERFORMANCE 'A'

Natural Colour Codes



Mandarin Colour Codes

